

make this separate

- NOTES:
 1. ALL DIMS IN INCHES
 2. QTY: 1

TITLE: Ball Launcher

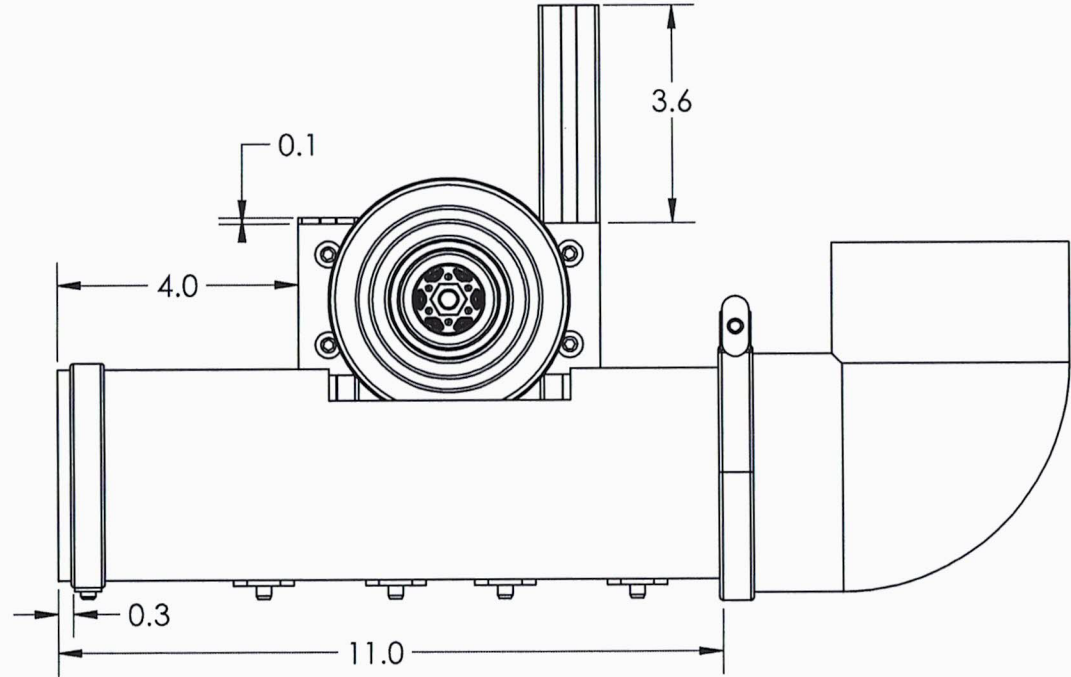
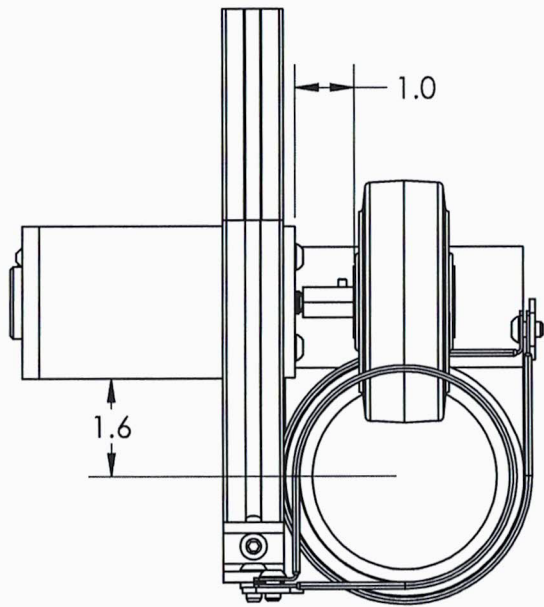
DRAWN

DESIGNED

DIMENSION TYPE	PLACES IN DIMENSION			SIZE	DWG. NO.	REV
	0.0	0.00	0.000			
LOCATIONAL	±0.050	±0.020	±0.005	A	EML2322L-A-700	A
ANGULAR	±5	±2	±0.5			

SCALE: 1:3

SHEET 1 OF 1



NOTES:
 1. DIMS IN INCHES
 2. QTY: 1

TITLE: Ball Launcher

DRAWN

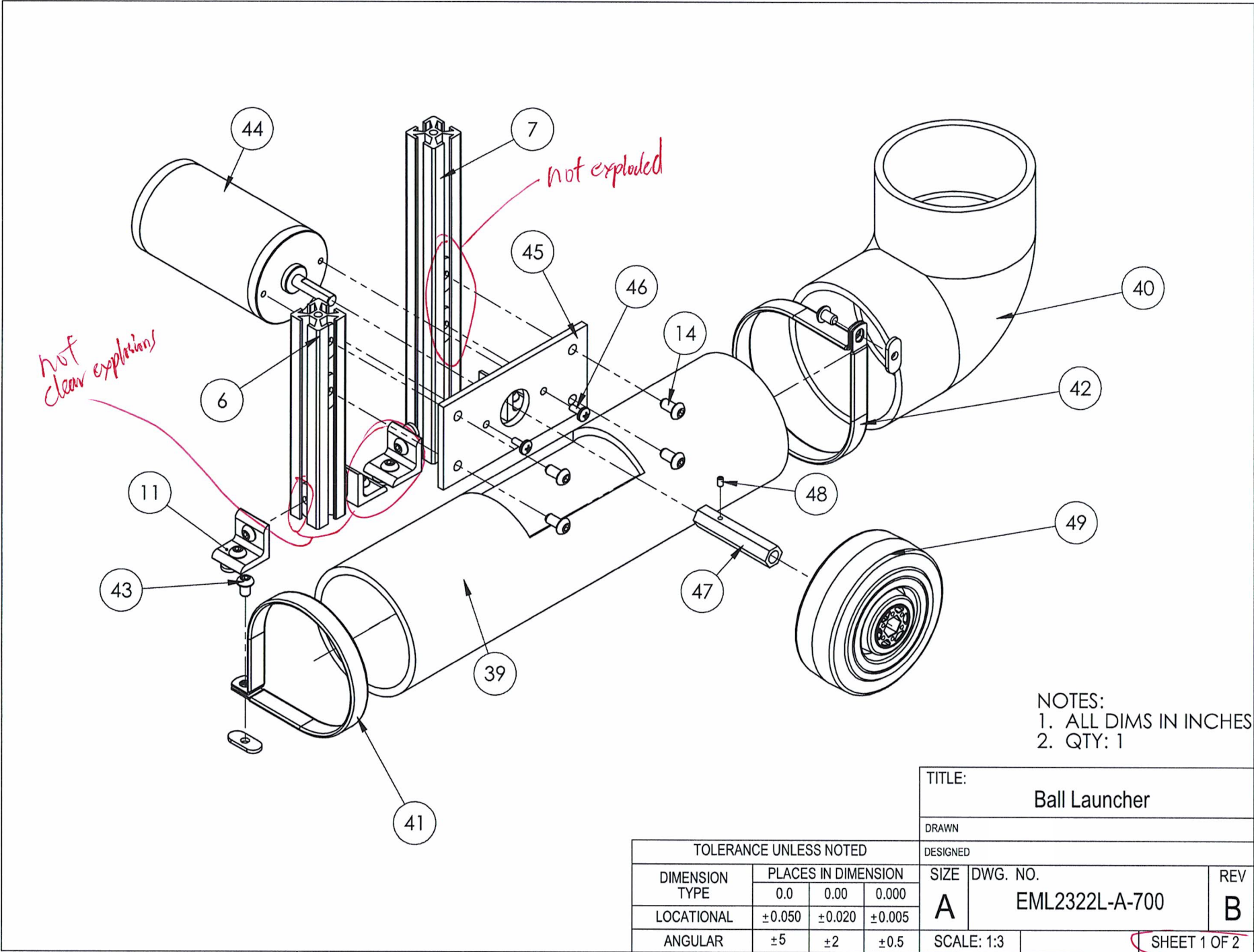
DESIGNED

DIMENSION TYPE	PLACES IN DIMENSION		
	0.0	0.00	0.000
LOCATIONAL	±0.050	±0.020	±0.005
ANGULAR	±5	±2	±0.5

SIZE	DWG. NO.	REV
A	EML2322L-A-700	B

SCALE: 1:3

SHEET 1 OF 1



NOTES:
 1. ALL DIMS IN INCHES
 2. QTY: 1

TITLE: Ball Launcher

DRAWN

DESIGNED

DIMENSION TYPE	PLACES IN DIMENSION			SIZE	DWG. NO.	REV
	0.0	0.00	0.000			
LOCATIONAL	±0.050	±0.020	±0.005	A	EML2322L-A-700	B
ANGULAR	±5	±2	±0.5			

SCALE: 1:3

SHEET 1 OF 2

ITEM NO.	PART NUMBER	DESCRIPTION	QTY.
6	EML2322L-105	80/20 Extrusion - 6.0"	1
7	EML2322L-106	80/20 Extrusion - 9.5"	1
11	EML2322L-A-OTS4	80/20 90 Degree Bracket Assembly	4
14	EML2322L-OTS7	1/4"-20 x 1/2" Button Head Cap Screw	4
39	EML2322L-118	PVC Straight Pipe	1
40	EML2322L-OTS22	PVC Elbow Pipe	1
41	EML2322L-OTS23	Vibration-Damping Clamp, 3-1/2" ID, 5-1/4" Long	1
42	EML2322L-OTS24	Vibration-Damping Clamp, 4" ID, 5-5/8" Long	1
43	EML2322L-120	1/4"-20 x 3/8" Button Head Screw	2
44	EML2322L-OTS25	5330 RPM CIM Motor	1
45	EML2322L-121	5330 CIM Motor Mount	1
46	EML2322L-OTS26	10-32 x 3/8" Round Phillips Head	2
47	EML2322L-122	5330 CIM Motor Hex Hub	1
48	EML2322L-OTS27	6-40 x 1/4" Cup-Point Set Screw	1
49	EML2322L-OTS28	4" x 1.5" Shooter Wheel	1

Centered

TITLE:		Ball Launcher	
DRAWN			
DESIGNED			
SIZE	DWG. NO.	REV	
A	EML2322L-A-700	B	
SCALE: 1:3		SHEET 2 OF 2	

DIMENSION TYPE	TOLERANCE UNLESS NOTED		
	PLACES IN DIMENSION		
	0.0	0.00	0.000
LOCATIONAL	±0.050	±0.020	±0.005
ANGULAR	±5	±2	±0.5