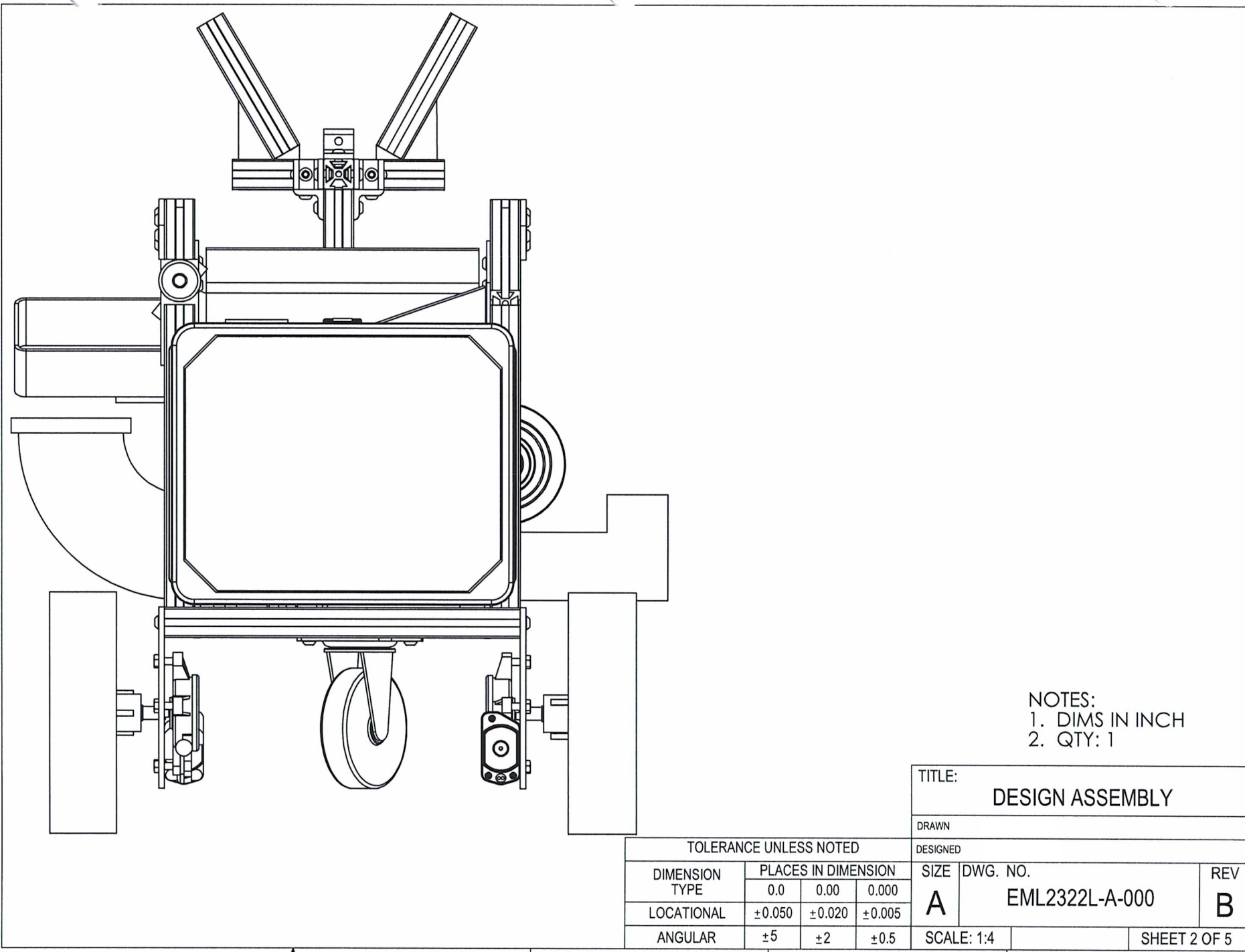


NOTES:
 1. DIMS IN INCH
 2. QTY: 1

| | | | |
|------------|----------------|-----------------|--|
| TITLE: | | DESIGN ASSEMBLY | |
| DRAWN | | | |
| DESIGNED | | | |
| SIZE | DWG. NO. | REV | |
| A | EML2322L-A-000 | B | |
| SCALE: 1:4 | | SHEET 1 OF 5 | |

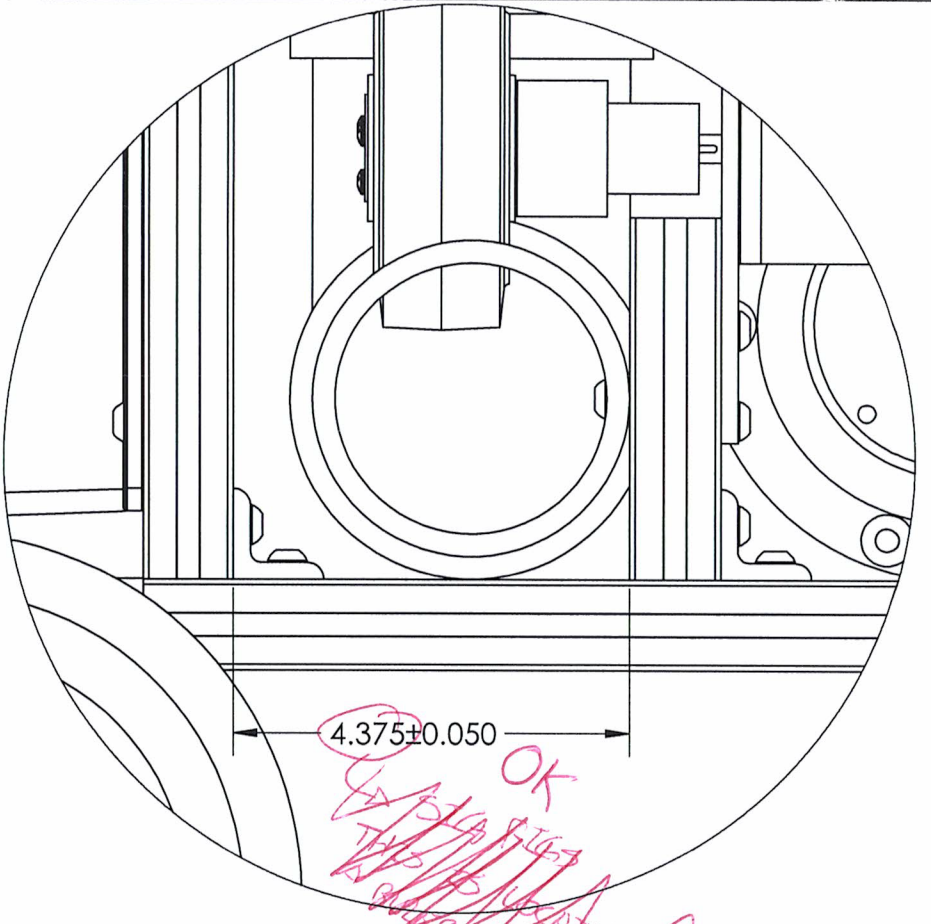
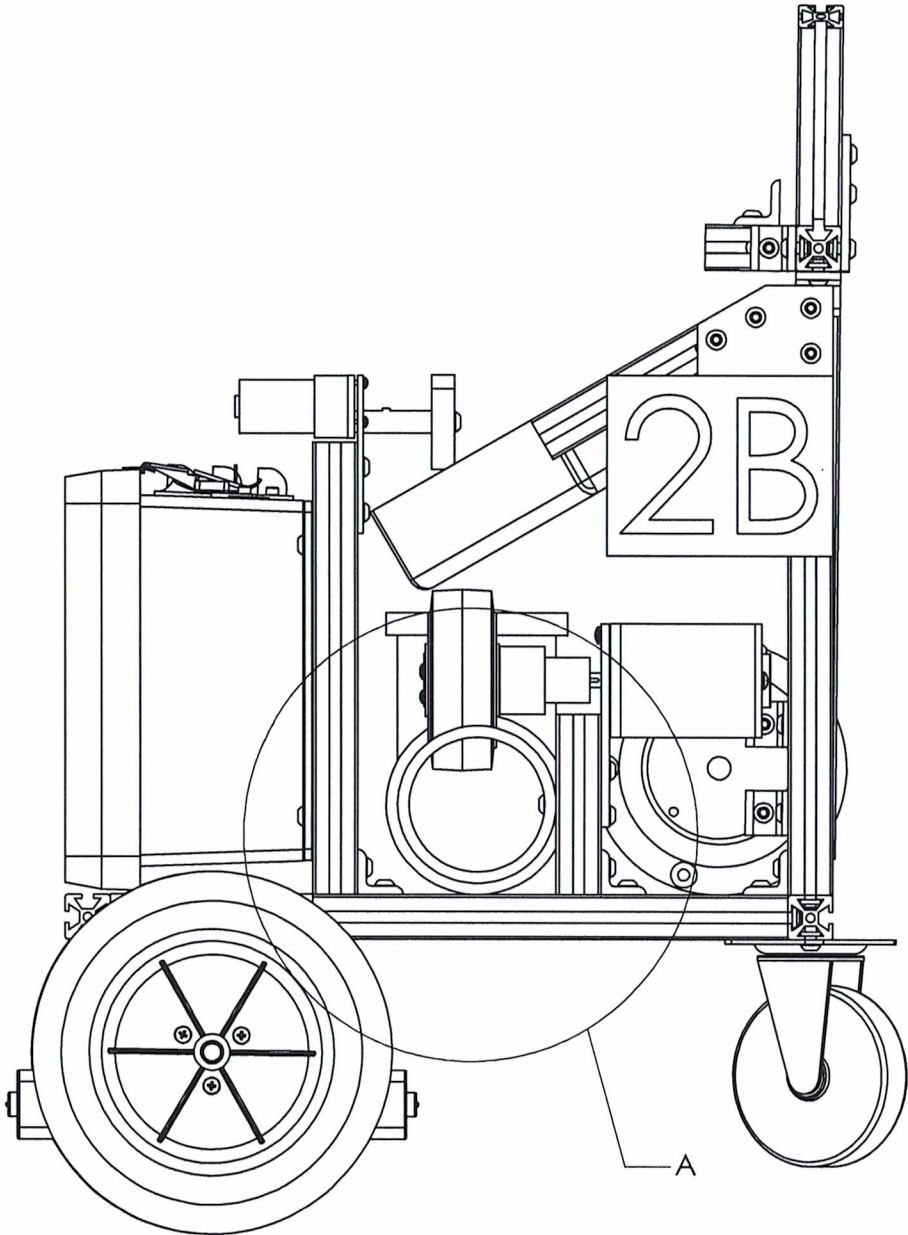
| DIMENSION TYPE | PLACES IN DIMENSION | | |
|----------------|---------------------|--------|--------|
| | 0.0 | 0.00 | 0.000 |
| LOCATIONAL | ±0.050 | ±0.020 | ±0.005 |
| ANGULAR | ±5 | ±2 | ±0.5 |



NOTES:
 1. DIMS IN INCH
 2. QTY: 1

| | | | | |
|------------|----------------|-----------------|--|--|
| TITLE: | | DESIGN ASSEMBLY | | |
| DRAWN | | | | |
| DESIGNED | | | | |
| SIZE | DWG. NO. | REV | | |
| A | EML2322L-A-000 | B | | |
| SCALE: 1:4 | | SHEET 2 OF 5 | | |

| DIMENSION TYPE | PLACES IN DIMENSION | | |
|----------------|---------------------|--------|--------|
| | 0.0 | 0.00 | 0.000 |
| LOCATIONAL | ±0.050 | ±0.020 | ±0.005 |
| ANGULAR | ±5 | ±2 | ±0.5 |



4.375±0.050

OK
Handwritten signature
 DETAIL A
 SCALE 1 : 2

- NOTES:
 1. DIMS IN INCH
 2. QTY: 1

TITLE:
DESIGN ASSEMBLY

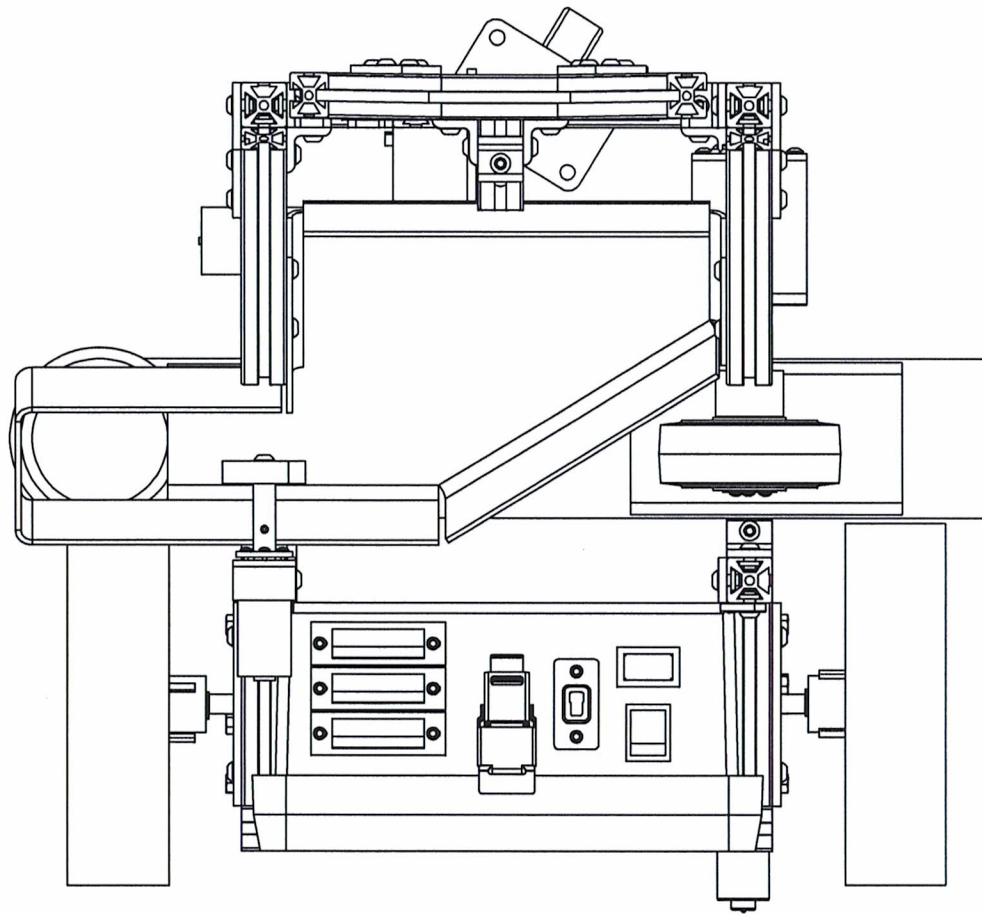
DRAWN

DESIGNED

| DIMENSION TYPE | PLACES IN DIMENSION | | | SIZE | DWG. NO. | REV |
|----------------|---------------------|--------|--------|------|----------------|-----|
| | 0.0 | 0.00 | 0.000 | | | |
| LOCATIONAL | ±0.050 | ±0.020 | ±0.005 | A | EML2322L-A-000 | B |
| ANGULAR | ±5 | ±2 | ±0.5 | | | |

SCALE: 1:4

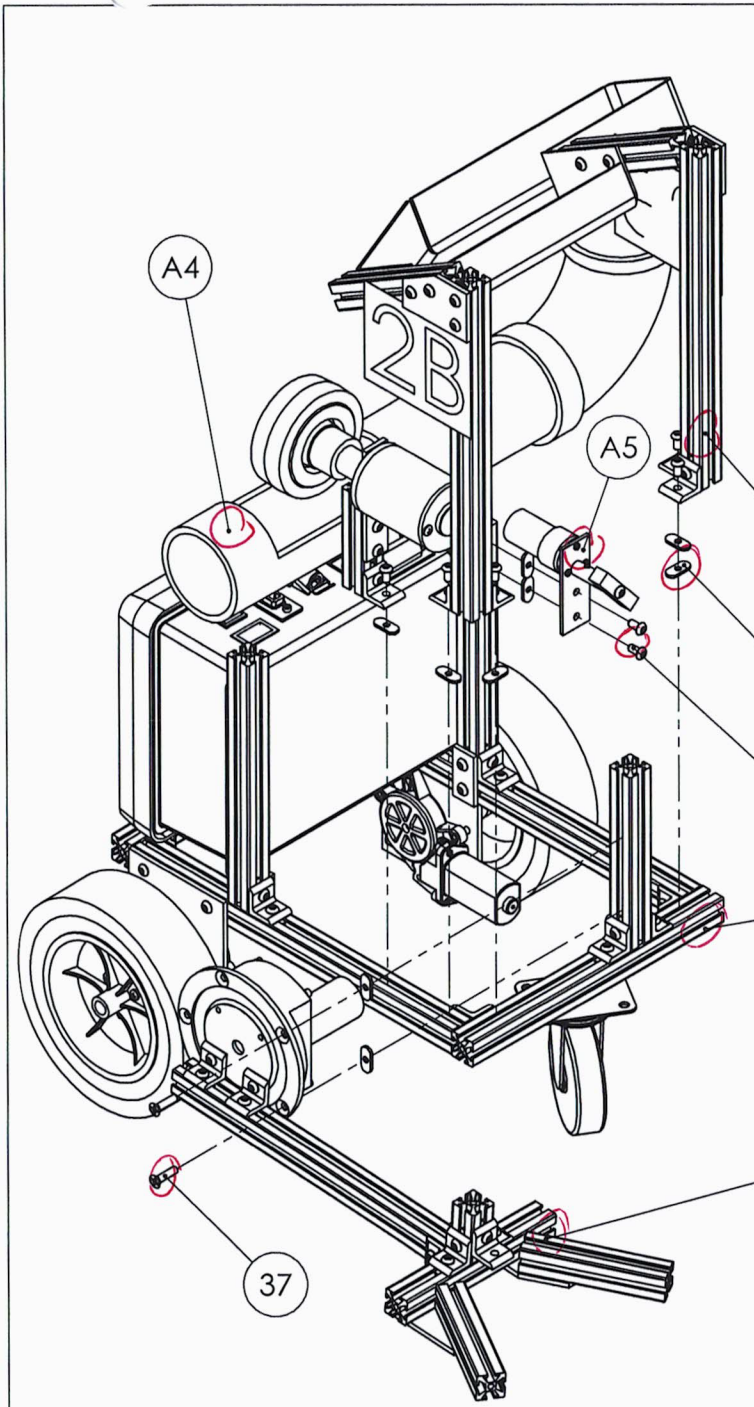
SHEET 3 OF 5



- NOTES:
 1. DIMS IN INCH
 2. QTY: 1

| | | | | |
|------------|-----------------------|-----------------|--|--|
| TITLE: | | DESIGN ASSEMBLY | | |
| DRAWN | | | | |
| DESIGNED | | | | |
| SIZE | DWG. NO. | REV | | |
| A | EML2322L-A-000 | B | | |
| SCALE: 1:4 | | SHEET 4 OF 5 | | |

| DIMENSION TYPE | PLACES IN DIMENSION | | |
|----------------|---------------------|--------|--------|
| | 0.0 | 0.00 | 0.000 |
| LOCATIONAL | ±0.050 | ±0.020 | ±0.005 |
| ANGULAR | ±5 | ±2 | ±0.5 |



| ITEM NO. | PART NUMBER | DESCRIPTION | Exploded/Default/ QTY. |
|----------|----------------|--------------------------------|---------------------------|
| A1 | EML2322L-A-100 | Mobile Platform Assembly | 1 |
| A2 | EML2322L-A-200 | Bucket Manipulator Assembly | 1 |
| A3 | EML2322L-A-300 | Hopper Assembly | 1 |
| A4 | EML2322L-A-400 | Ball Launcher Assembly | 1 |
| A5 | EML2322L-A-500 | Gate Assembly | 1 |
| 37 | EML2322L-602 | 1/4-20 x 1 FH Phillips Screw | 2 |
| 44 | EML2322L-609 | 1/4-20 T-Nut | 9 |
| 45 | EML2322L-610 | 1/4-20 x 1/2 inch BHCS | 7 |

NOTES:
 1. DIMS IN INCHES
 2. QTY: 1

TITLE:
DESIGN ASSEMBLY

DRAWN

DESIGNED

| DIMENSION TYPE | PLACES IN DIMENSION | | |
|-------------------|---------------------|--------|--------|
| | 0.0 | 0.00 | 0.000 |
| LOCATIONAL | ±0.050 | ±0.020 | ±0.005 |
| ANGULAR | ±5 | ±2 | ±0.5 |

| SIZE | DWG. NO. | REV |
|----------|-----------------------|----------|
| A | EML2322L-A-000 | B |

SCALE: 1:6 SHEET 5 OF 5