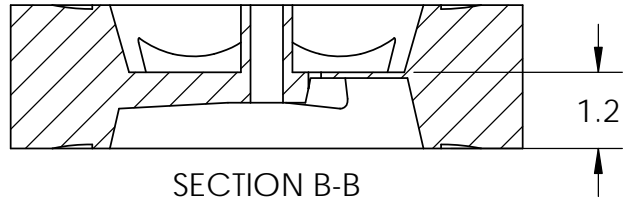


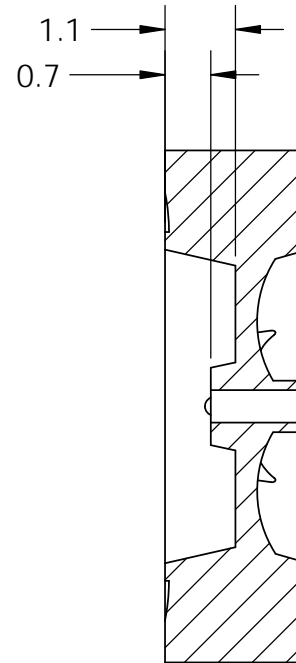
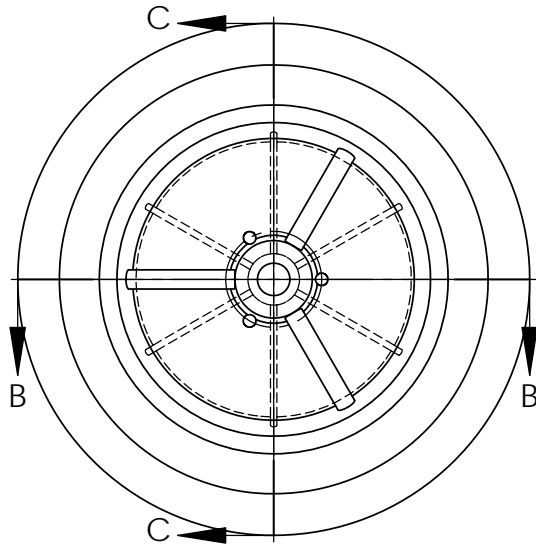
- NOTES:  
 1. DIMS IN INCHES  
 2. QTY SPECIFIED IN BOM  
 3. DIMS AND MAT'L SPECIFIED BY MANUFACTURER

**SolidWorks Student License**  
**Academic Use Only**

TOLERANCE UNLESS NOTED				TITLE:		
MEASURING INSTRUMENT	PLACES IN DIMENSION			8 Inch Wheel Type 1		
	0.0	0.00	0.000	DRAWN	J. DERSCH	
CALIPERS	/	/	±0.005	DESIGNED	ARNOLD	
PRECISION RULER	/	±0.015	/	SIZE	DWG. NO.	REV
TAPE MEASURE	±0.030	/	/	<b>A</b>	EML2322L-OTS22	<b>A</b>
PROTRACTOR	±10	±5	±2	SCALE: 1:3		SHEET 1 OF 2



SECTION B-B



SECTION C-C

NOTES:

1. DIMS IN INCHES
2. QTY SPECIFIED IN BOM
3. DIMS AND MAT'L SPECIFIED BY MANUFACTURER

**SolidWorks Student License**  
**Academic Use Only**

TOLERANCE UNLESS NOTED				TITLE:		
MEASURING INSTRUMENT	PLACES IN DIMENSION			8 Inch Wheel Type 1		
	0.0	0.00	0.000	DRAWN	J. DERSCH	
CALIPERS	/	/	±0.005	DESIGNED	ARNOLD	
PRECISION RULER	/	±0.015	/	SIZE	DWG. NO.	REV
TAPE MEASURE	±0.030	/	/	<b>A</b>	EML2322L-OTS22	<b>A</b>
PROTRACTOR	±10	±5	±2	SCALE: 1:3		SHEET 2 OF 2