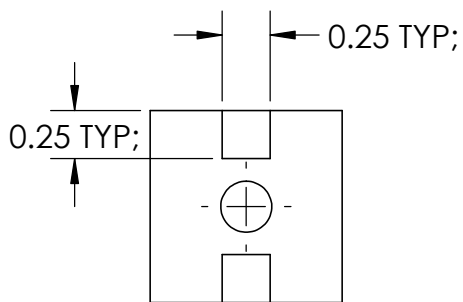
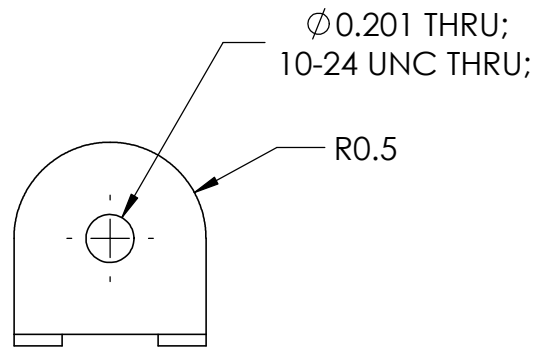
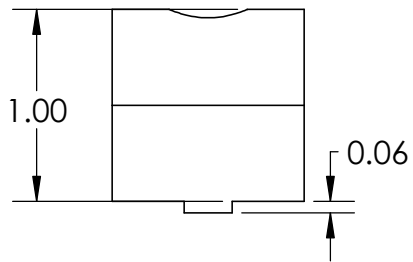
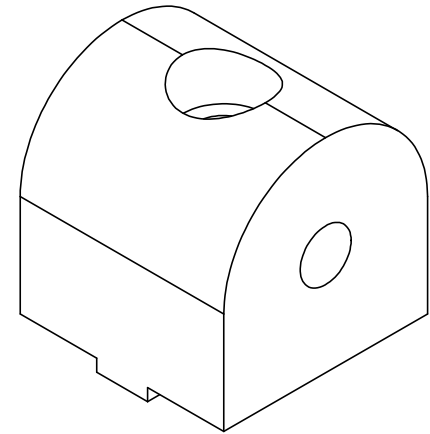


Ø 0.201 THRU;  
10-24 UNC THRU;  
CBORE Ø 0.407 ∇ 0.25;



NOTES:  
1. QTY SPECIFIED IN BOM  
2. DIM AND MAT'L SPECIFIED BY MANUFACTURER

TOLERANCE UNLESS NOTED				TITLE:		
MEASURING INSTRUMENT	PLACES IN DIMENSION			80-20 0 Degree Hinge		
	0.0	0.00	0.000	DRAWN	DANNY FARAGALLA	
CALIPERS	/	/	±0.005	DESIGNED	80/20 INC.	
PRECISION RULER	/	±0.015	/	SIZE	DWG. NO.	REV
TAPE MEASURE	±0.030	/	/	<b>A</b>	EML2322L-XXX	<b>A</b>
PROTRACTOR	±10	±5	±2	SCALE: 1:1		SHEET 1 OF 1