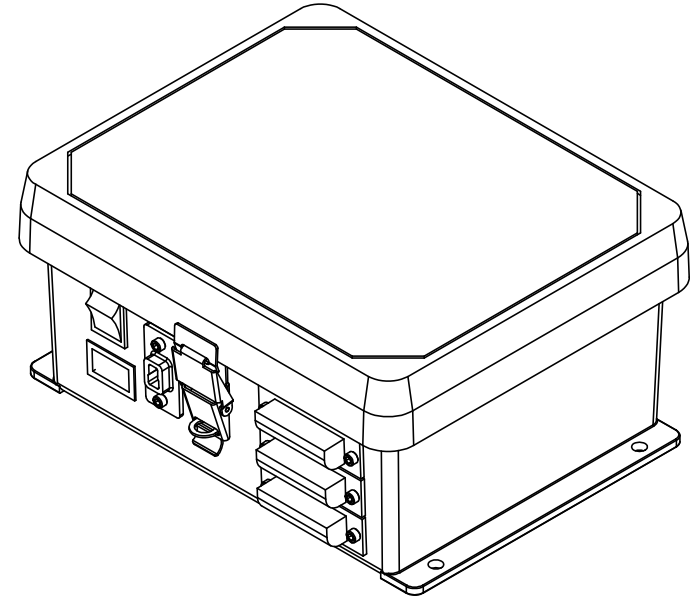


Ø 0.328 THRU;
4 PLACES



- NOTES:
 1. DIMS IN INCHES
 2. QTY SPECIFIED IN BOM
 3. DIM AND MAT'L SPECIFIED BY MANUFACTURER

TOLERANCE UNLESS NOTED				TITLE:		
MEASURING INSTRUMENT	PLACES IN DIMENSION			Control Box		
	0.0	0.00	0.000	DRAWN	KRISTIN BROOKER	
CALIPERS	/	/	±0.005	DESIGNED	VYNCKIER ENCLOSURES	
PRECISION RULER	/	±0.015	/	SIZE	DWG. NO.	REV
TAPE MEASURE	±0.030	/	/	A	EML2322L-OTS1	B
PROTRACTOR	±10	±5	±2	SCALE: 1:4		SHEET 1 OF 1