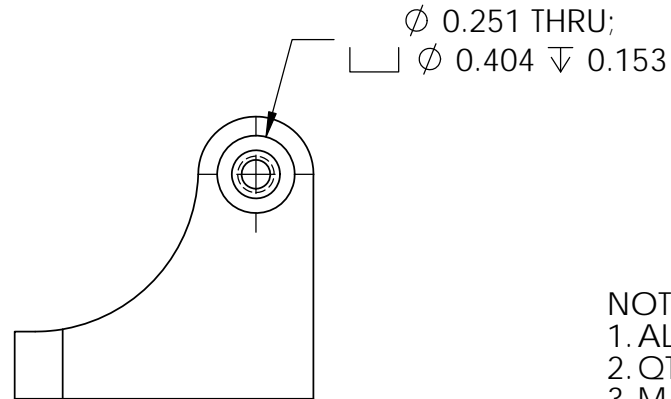
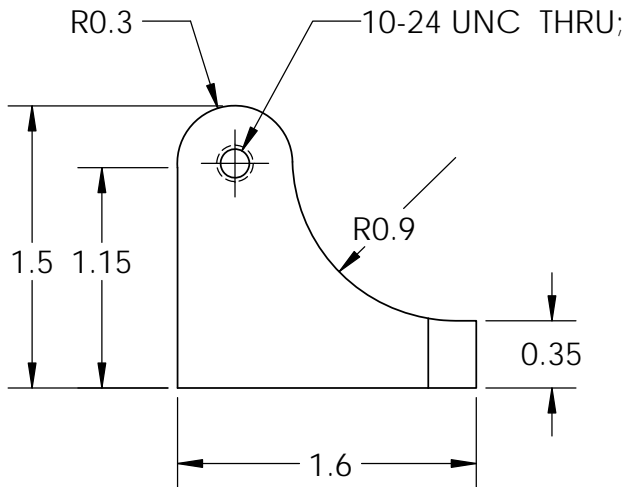
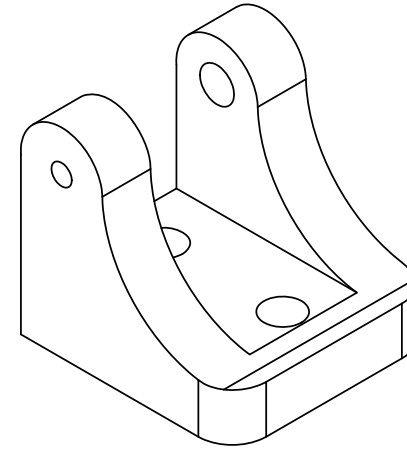
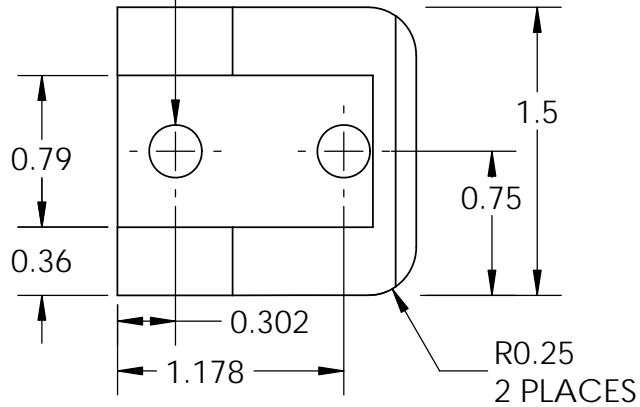


Ø0.275 THRU;
2 PLACES



NOTES:
1. ALL DIMS IN INCHES
2. QTY SPECIFIED IN BOM
3. MAT'L: ALUMINUM

TOLERANCE UNLESS NOTED				TITLE: Linear Actuator Mount (10-24)		
OPERATION	PLACES IN DIMENSION			DRAWN	T. THORNTON	
	0.0	0.00	0.000			
MACHINING	±0.050	±0.020	±0.005	DESIGNED	CONCENTRIC INTERNATIONAL	
CUT OFF (SAW, BURN, SHEAR)	±0.1	±0.060		SIZE	DWG. NO.	REV
WELDING	±0.1	±0.060		A	EML2322L-OTS10	A
ANGULAR DIMS	±5	±2	±0.5	SCALE: 1:1		SHEET 1 OF 1