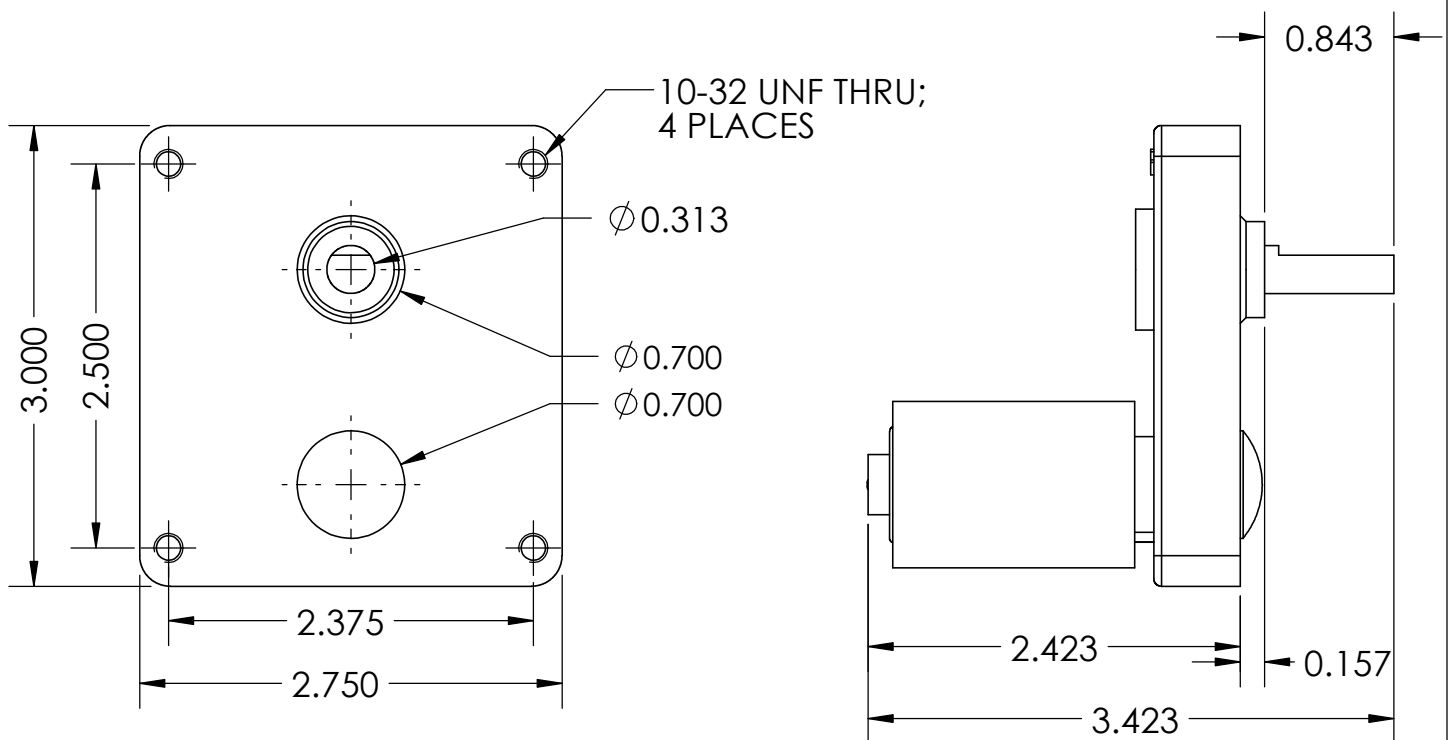
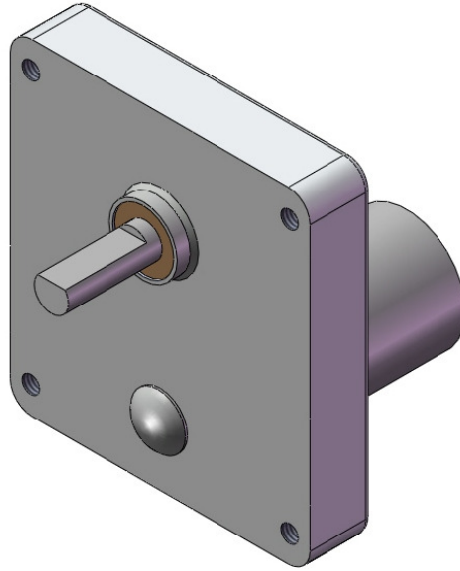


17.5 RPM Molon Motor



Specifications:

Voltage: 12 VDC

Current: 175mA (no load) / 0.6A (full load, i.e. stall)

Speed: 17.5 RPM (no load)

Torque: 7.5 in-lb

Back-drive Torque: 3.8 in-lb

Reversible

Weight: 0.8 lb

DIMS IN INCHES