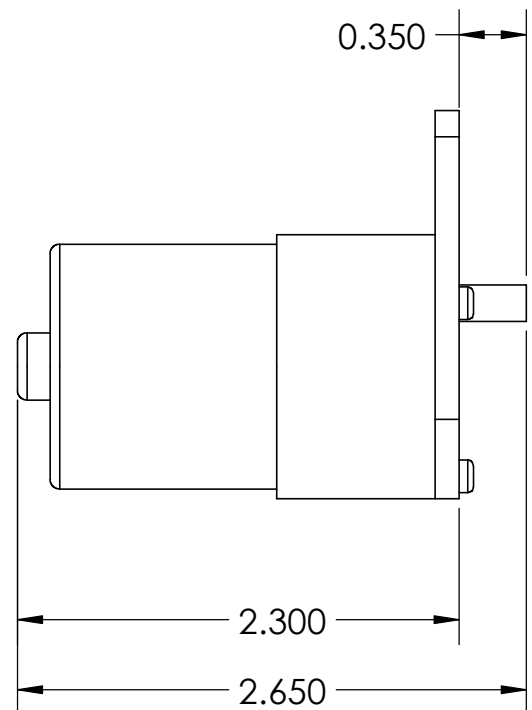
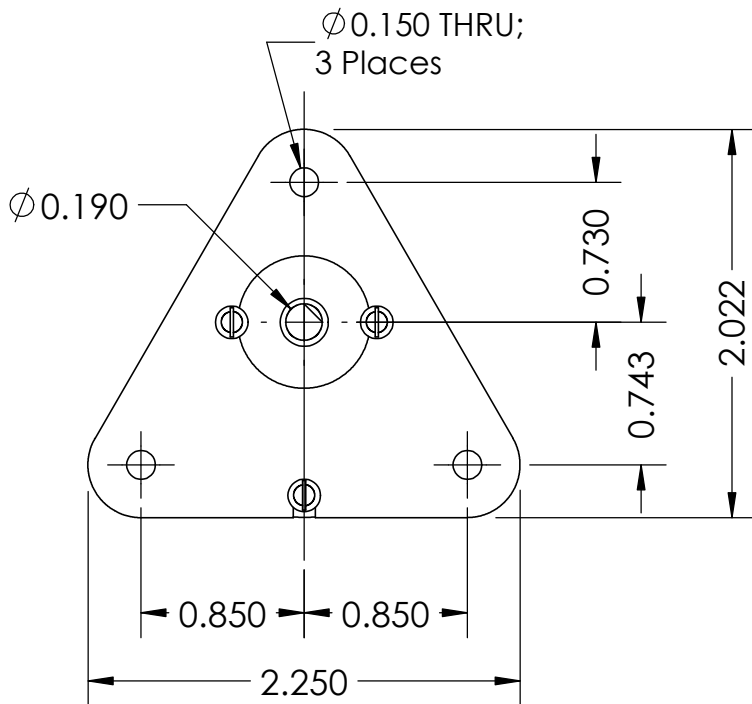
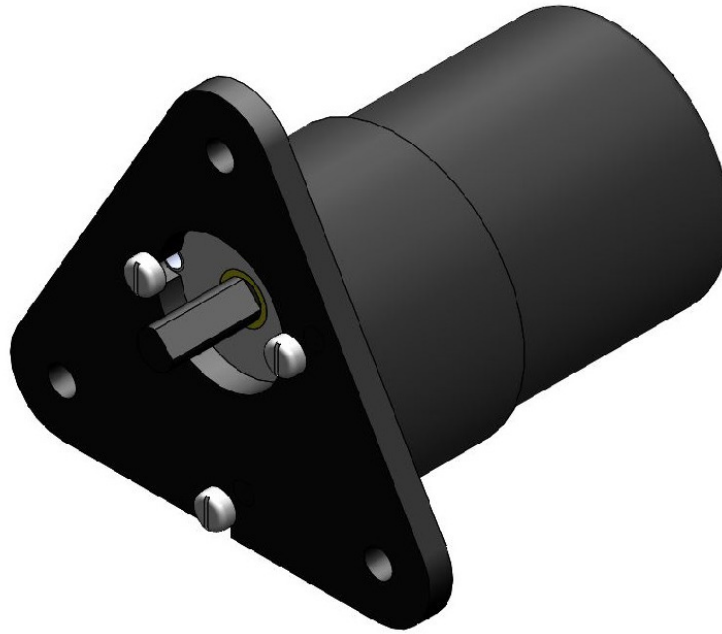


# 25 RPM Barber-Colman/Xerox Gearmotor



## Specifications:

Voltage: 12 VDC

Speed: 25 RPM (no load)

Torque: 21 in-oz

Back-drive Torque: 30 in-oz (estimated)

Reversible

Weight: 0.4 lb

DIMS IN INCHES