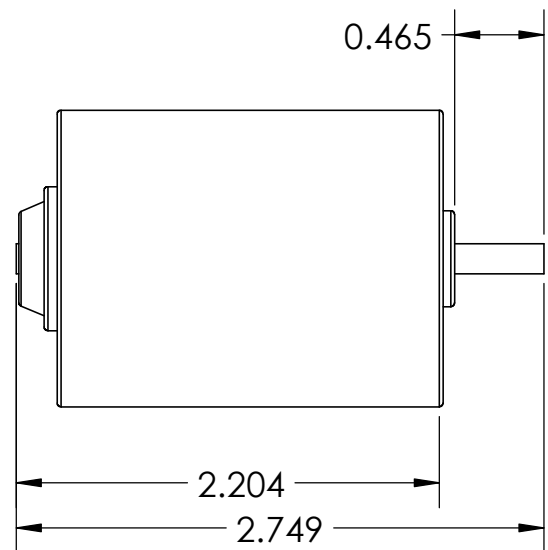
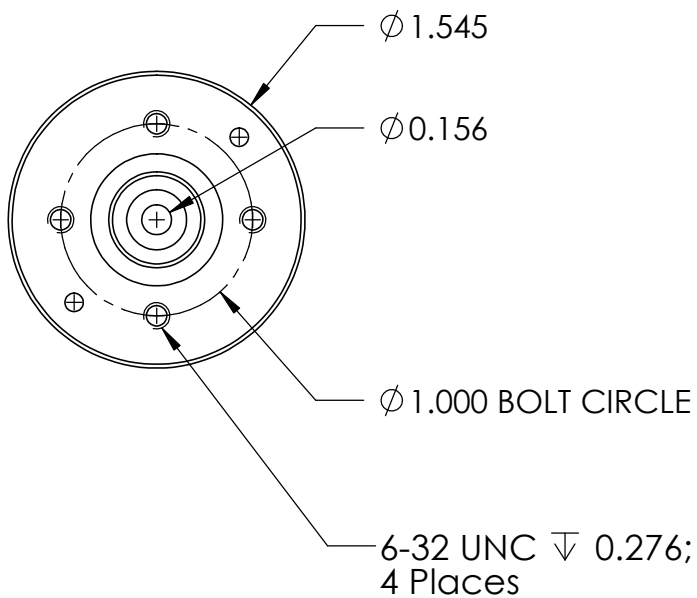
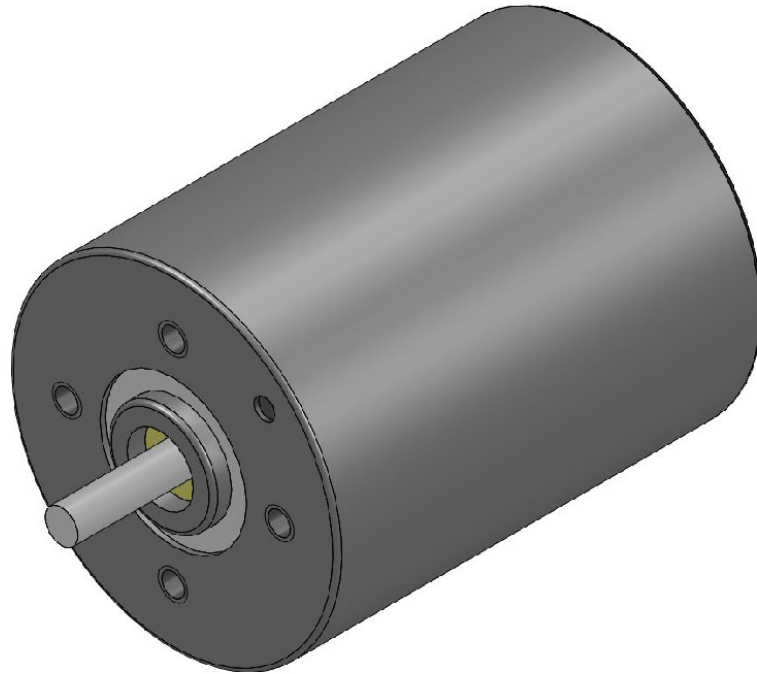


3500 RPM Globe Motor



Specifications:

Voltage: 12 VDC
Current: 0.10A (no load)
Speed: 3500 RPM (no load)
Reversible
Weight: 1.0 lb

DIMS IN INCHES