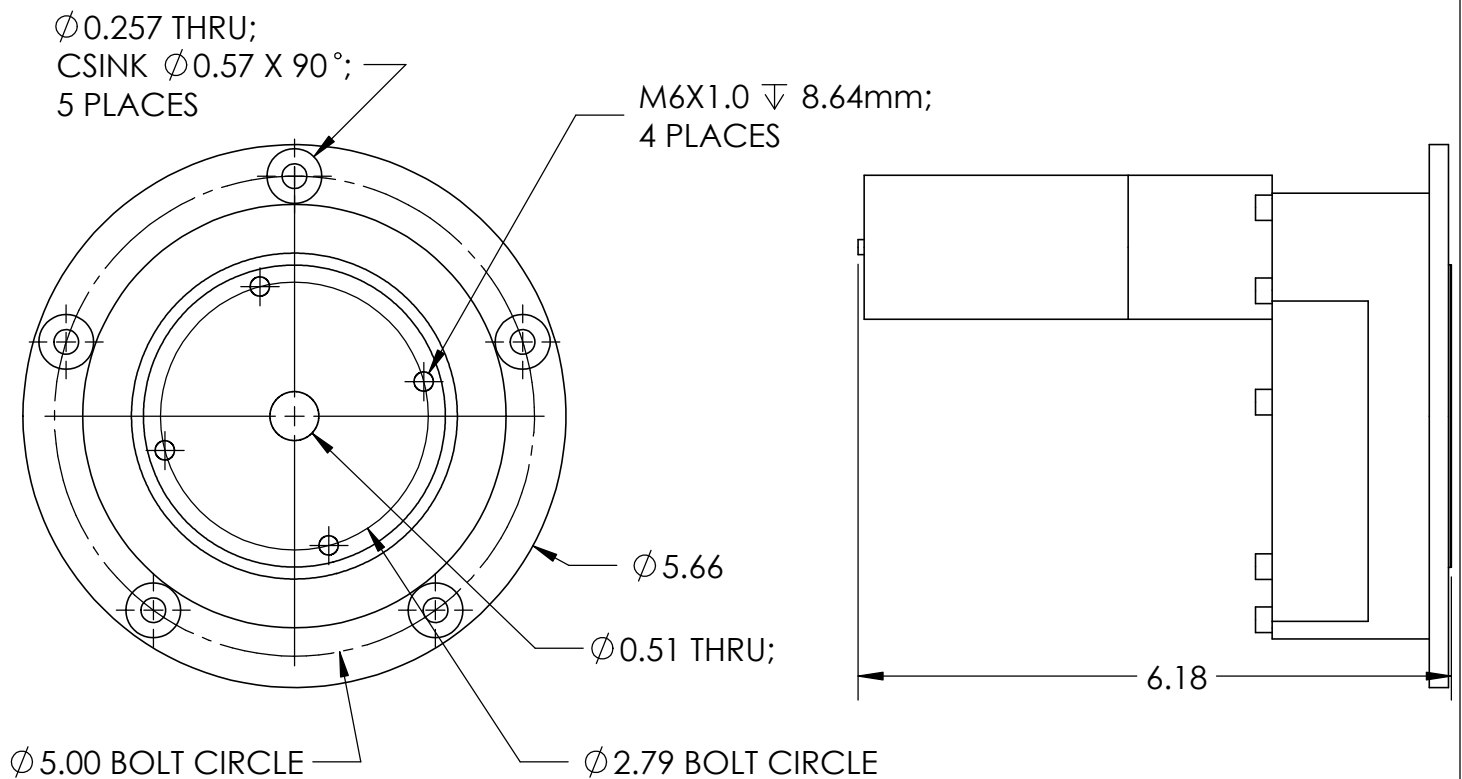
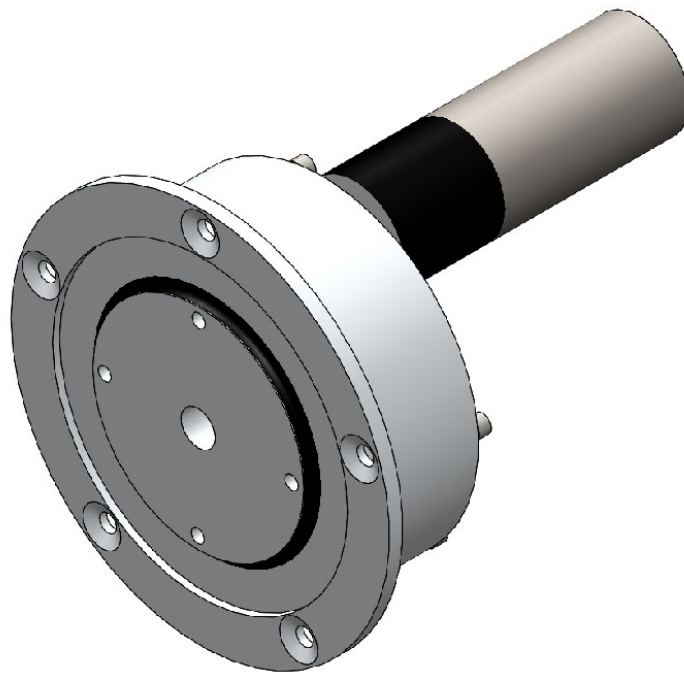


4.5 RPM Double Reduction Globe Motor



Specifications:

- Voltage: 12 VDC
- Current: 130mA (no load)
- Speed: 4.5 RPM (no load)
- Torque: 125 in-lb
- Back-drive Torque: 125 in-lb
- Reversible
- Weight: 4.5 lb

DIMS IN INCHES